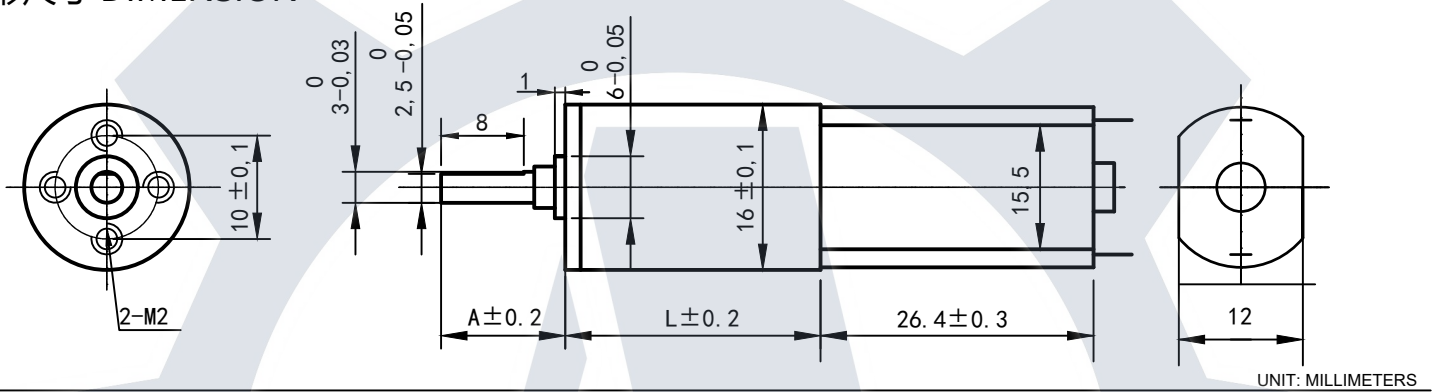


# FAGM16-050



Number of stages	3	4	5	6	7
Reduction ratio	11, 16.7	24, 28.8, 33.3, 37.5, 43, 50	58, 72, 83.3, 86.4, 100, 150	200, 250, 300, 450	360, 500, 600, 750
Gearbox length 'L' mm	11.30	12.80	14.30	16.50	18
Shaft length 'A' mm	Shape: Ø3 D-cut 0.5mm, shape & length customizable.				
Breaking torque(kgf.cm)	1	2	3	4	4
Gearbox efficiency	73%	65%	59%	53%	48%

## 外形尺寸 DIMENSION



## 直流正齿减速电机参数

### SPUR GEARED MICRO DC MOTOR SPECS (voltage, current, torque, etc free customization)

电压 Voltage	级数 number of stages	3			4					5					6			7			
	减速比 Gear Ratio	11	17	24	29	38	43	50	58	72	86	100	150	200	250	300	360	450	500	600	750
3V	额定扭力 kgf.cm Rated Torque	0.02	0.04	0.05	0.06	0.08	0.09	0.10	0.11	0.13	0.16	0.19	0.28	0.34	0.43	0.51	0.61	0.70	0.78	0.93	1.16
	额定转速 RPM Rated Speed	727	471	333	276	211	186	160	138	111	93	80	53	40	32	27	22	18	16	13	11
	瞬间容许扭力 kgf.cm Max Allowable Moment Torque	2.0	2.0	2.0	2.0	2.0	2.0	2.0	2.0	2.0	2.0	2.0	2.0	2.0	2.0	2.0	2.0	2.0	2.0	2.0	2.0
	空载转速 RPM No Load Speed	845	547	388	321	245	216	186	160	129	108	93	62	47	37	31	26	21	19	16	12
12V	额定扭力 kgf.cm Rated Torque	0.04	0.06	0.08	0.10	0.13	0.15	0.17	0.18	0.22	0.27	0.31	0.47	0.57	0.71	0.85	1.02	1.16	1.29	1.55	1.94
	额定转速 RPM Rated Speed	1227	794	563	466	355	314	270	233	188	157	135	90	68	54	45	38	30	27	23	18
	瞬间容许扭力 kgf.cm Max Allowable Moment Torque	2.0	2.0	2.0	2.0	2.0	2.0	2.0	2.0	2.0	2.0	2.0	2.0	2.0	2.0	2.0	2.0	2.0	2.0	2.0	2.0
	空载转速 RPM No Load Speed	1363.6	882.4	625.0	517.2	394.7	348.8	300.0	258.6	208.3	174.4	150.0	100.0	75.0	60.0	50.0	41.7	33.3	30.0	25.0	20.0

## 电机参数 MICRO DC MOTOR SPECS (voltage, current, torque, etc free customization)

型号 Model	额定电压 Rated Voltage	空载 No Load		额定负载 RATED LOAD					堵转 Stall	
		转速 Speed	电流 Current	转速 Speed	电流 Current	扭矩 Torque	输出功率 Output	效率 Efficiency	扭矩 Torque	电流 Current
	VDC	RPM	A	RPM	A	gf.cm	W	%	gf.cm	A
FAFF-050-1683	3	9300	0.1	8000	0.2	3	0.246	41.1	21	1.38
FAFF-050-09190	12	15000	0.1	13500	0.16	5	0.693	36.1	50	0.8