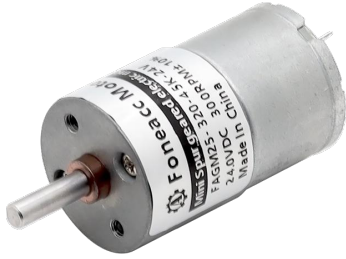


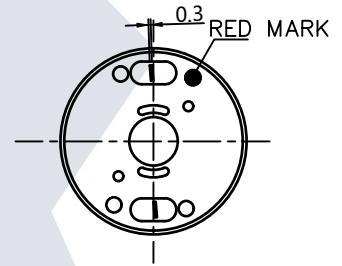
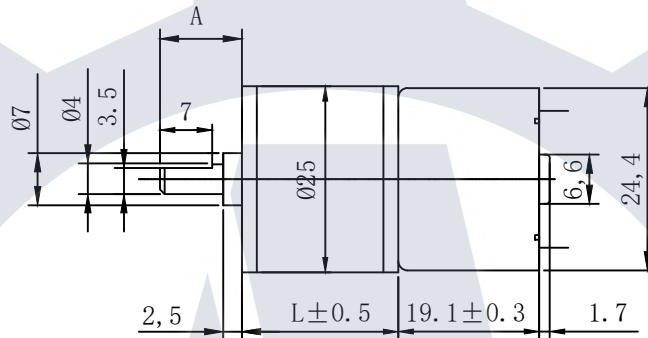
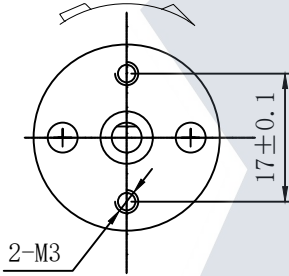
FAGM25-320



Number of stages	2	3	4	5	6	7	8
Reduction ratio	4.4	9.3, 10	16, 20.4, 21, 23	26, 27, 34, 35.5, 45, 47	57, 59, 75, 78, 99, 103	124.7, 130, 165, 172, 217, 227	274.4, 286, 362, 378, 478, 500
Gearbox length 'L' mm	19		21	23	25	27	
Shaft length 'A' mm	Shape: Ø4 D-cut 0.5mm, shape & length customizable.						
Breaking torque(kgf.cm)	5	6	8	10	12	14	14
Gearbox efficiency	81%	73%	65%	59%	53%	48%	43%

外形尺寸 DIMENSION

旋转方向
DIRECTION OF ROTATION(CW&CCW)



UNIT: MILLIMETERS

直流正齿减速电机参数

SPUR GEARED MICRO DC MOTOR SPECS (voltage, current, torque, etc free customization)

电压 Voltage	级数 number of stages	2		3		4		5		6		7		8			
	减速比 Gear Ratio	4.4	10	16	21	26	35.5	47	59	78	103	130	172	226.8	286	378	500
12V	额定扭力 kgf.cm Rated Torque	0.04	0.08	0.11	0.15	0.17	0.23	0.31	0.35	0.46	0.61	0.70	0.92	1.22	1.40	1.85	2.45
	额定转速 RPM Rated Speed	1870	823	514	392	317	232	175	139	106	80	63	48	36	29	22	16
	瞬间容许扭力 kgf.cm Max Allowable Moment Torque	8.0	8.0	8.0	8.0	8.0	8.0	8.0	8.0	8.0	8.0	8.0	8.0	8.0	8.0	8.0	8.0
	空载转速 RPM No Load Speed	2227	980	613	467	377	276	209	166	126	95	75	57	43	34	26	20
24V	额定扭力 kgf.cm Rated Torque	0.05	0.11	0.17	0.22	0.24	0.33	0.44	0.50	0.67	0.88	1.01	1.34	1.76	2.02	2.67	3.54
	额定转速 RPM Rated Speed	2670	1175	734	559	452	331	250	199	151	114	90	68	52	41	31	23
	瞬间容许扭力 kgf.cm Max Allowable Moment Torque	8.0	8.0	8.0	8.0	8.0	8.0	8.0	8.0	8.0	8.0	8.0	8.0	8.0	8.0	8.0	
	空载转速 RPM No Load Speed	3118.2	1372.0	857.5	653.3	527.7	386.5	291.9	232.5	175.9	133.2	105.5	79.8	60.5	48.0	36.3	27.4

电机参数 MICRO DC MOTOR SPECS (voltage, current, torque, etc free customization)

型号 Model	额定电压 Rated Voltage	空载 No Load		额定负载 RATED LOAD					堵转 Stall	
		转速 Speed	电流 Current	转速 Speed	电流 Current	扭矩 Torque	输出功率 Output	效率 Efficiency	扭矩 Torque	电流 Current
	VDC	RPM	A	RPM	A	gf.cm	W	%	gf.cm	A
RF-320-10470	12	9800	0.029	8229	0.15	10.4	0.879	48.8	64.9	0.78
RF-320-5581	24	13720	0.025	11747	0.15	15.04	1.814	50.4	104.6	0.886