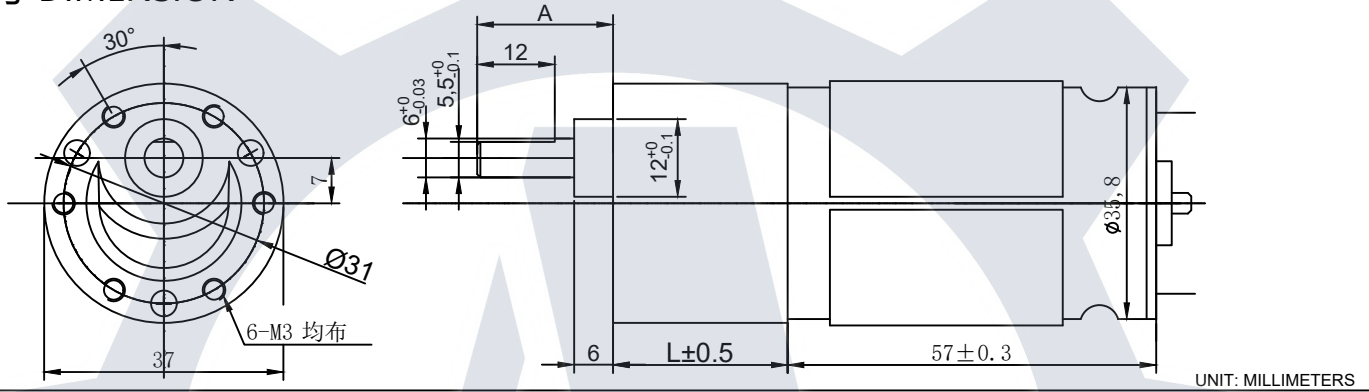


FAGS37-555



Number of stages	2	3	4	5	6
Reduction ratio	10	16.7, 23.3, 30, 36	50, 60, 70, 90	110, 121, 150, 180, 210, 270	350, 405, 450, 490, 540, 630, 810
Gearbox length 'L' mm	19	21.50	24	26.5	29
Shaft length 'A' mm	Shape: Ø6 D-cut 0.5mm, length and shape customizable.				
Breaking torque(kgf.cm)	8	10	30	35	40
Gearbox efficiency	81%	73%	65%	59%	53%

外形尺寸 DIMENSION



直流正齿减速电机参数

SPUR GEARED MICRO DC MOTOR SPECS (voltage, current, torque, etc free customization)

电压 Voltage	级数 number of stages	2		3			4			5			6											
	减速比 Gear Ratio	10	16.7	23.3	30	36	50	60	70	90	110	121	150	180	210	270	350	405	450	490	540	630	810	
6V	额定扭力 kgf.cm Rated Torque	1.38	2.10	2.93	3.78	4.53	5.73	6.87	8.02	10.31	11.46	12.61	15.63	18.76	21.88	28.14	33.19	38.41	42.68	46.47	51.21	59.75	76.82	
	额定转速 RPM Rated Speed	270	162	116	90	75	54	45	39	30	25	22	18	15	13	10	8	7	6	6	5	4	3	
	瞬间容许扭力 kgf.cm Max Allowable Moment Torque	40.0	40.0	40.0	40.0	40.0	40.0	40.0	40.0	40.0	40.0	40.0	40.0	40.0	40.0	40.0	40.0	40.0	40.0	40.0	40.0	40.0	40.0	40.0
	空载转速 RPM No Load Speed	330	198	142	110	92	66	55	47	37	30	27	22	18	16	12	9	8	7	7	6	5	4	
12V	额定扭力 kgf.cm Rated Torque	1.74	2.64	3.69	4.75	5.70	7.20	8.64	10.08	12.96	14.42	15.86	19.66	23.59	27.52	35.38	41.74	48.30	53.66	58.43	64.40	75.13	96.59	
	额定转速 RPM Rated Speed	390	234	167	130	108	78	65	56	43	35	32	26	22	19	14	11	10	9	8	7	6	5	
	瞬间容许扭力 kgf.cm Max Allowable Moment Torque	40.0	40.0	40.0	40.0	40.0	40.0	40.0	40.0	40.0	40.0	40.0	40.0	40.0	40.0	40.0	40.0	40.0	40.0	40.0	40.0	40.0	40.0	
	空载转速 RPM No Load Speed	460	275.4	197.4	153.3	127.8	92.0	76.7	65.7	51.1	41.8	38.0	30.7	25.6	21.9	17.0	13.1	11.4	10.2	9.4	8.5	7.3	5.7	

电机参数 MICRO DC MOTOR SPECS (voltage, current, torque, etc free customization)

型号 Model	额定电压 Rated Voltage	空载 No Load		额定负载 RATED LOAD					堵转 Stall	
		转速 Speed	电流 Current	转速 Speed	电流 Current	扭矩 Torque	输出功率 Output	效率 Efficiency	扭矩 Torque	电流 Current
	VDC	RPM	A	RPM	A	gf.cm	W	%	gf.cm	A
FARS-555-3730	6	3300	0.25	2700	1.3	167	4.629	59.3	1000	6.7
FARS-555-3156	12	4600	0.23	3900	1.3	210	8.408	53.9	1300	5.5