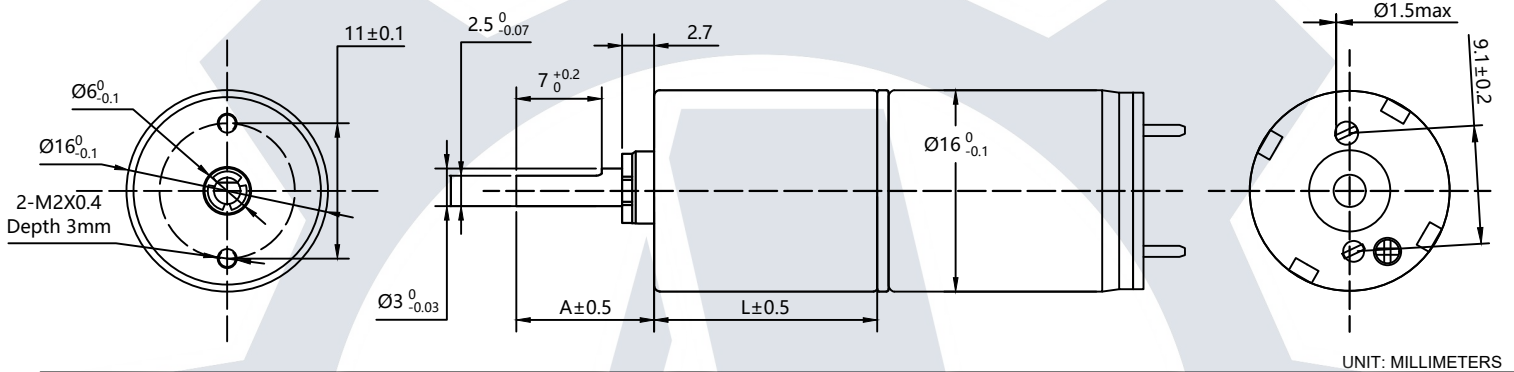


FAPG16-1625R



Number of stages	1	2	3	4	5
Reduction Ratio(i)	4, 5	16, 19, 23	64, 76, 90, 107	256, 304, 361, 428, 509, 688	1024, 1216, 1444, 1715
Gearbox Length L (mm)	12.2	15.8	19.4	23.0	26.6
Shaft length A (mm)	Length and shape customizable				
Breaking Torque(kgf.cm)	3.0	4.5	6.0	7.5	9.0
Gearbox Efficiency	80%	70%	60%	50%	40%

外形尺寸 DIMENSION



直流行星减速电机参数

PLANETARY GEARED MICRO DC MOTOR SPECS (voltage, current, torque, etc free customization)

电压 Voltage	减速比 Gear Ratio	1/4	1/5	1/16	1/19	1/23	1/64	1/76	1/90	1/107	1/256	1/304	1/361	1/509
4.5V	额定扭力 kgf.cm Rated Torque	0.03	0.04	0.11	0.14	0.16	0.39	0.47	0.55	0.65	1.31	1.55	1.84	2.60
	额定转速 RPM Rated Speed	1541	1232	385	324	268	96	81	68	58	24	20	17	12
	瞬间容许扭力 kgf.cm Max Allowable Moment Torque	1.5	1.5	2.0	2.0	2.0	3.5	3.5	3.5	3.5	3.5	3.5	3.5	3.5
	空载转速 RPM No Load Speed	1950	1560.0	487.5	410.5	339.1	121.9	102.6	86.7	72.9	30.5	25.7	21.6	15.3
12V	额定扭力 kgf.cm Rated Torque	0.03	0.04	0.11	0.14	0.16	0.39	0.47	0.55	0.65	1.31	1.55	1.84	2.60
	额定转速 RPM Rated Speed	2790	2232	698	587	485	174	147	124	104	44	37	31	22
	瞬间容许扭力 kgf.cm Max Allowable Moment Torque	1.5	1.5	2.0	2.0	2.0	3.5	3.5	3.5	3.5	3.5	3.5	3.5	3.5
	空载转速 RPM No Load Speed	3000.0	2400.0	750.0	631.6	521.7	187.5	157.9	133.3	112.1	46.9	39.5	33.2	23.6

电机参数 MICRO DC MOTOR SPECS (voltage, current, torque, etc free customization)

型号 Model	额定电压 Rated Voltage	空载 No Load		额定负载 RATED LOAD					堵转 Stall	
		转速 Speed	电流 Current	转速 Speed	电流 Current	扭矩 Torque	输出功率 Output	效率 Efficiency	扭矩 Torque	电流 Current
		RPM	A	RPM	A	gf.cm	W	%	gf.cm	A
FA1625R-4.5	4.5	7800	0.02	6162	0.18	10.2	0.65	79	68	1.3
FA1625R-12	12	12000	0.01	11160	0.11	10.2	1.17	89	149	1.55