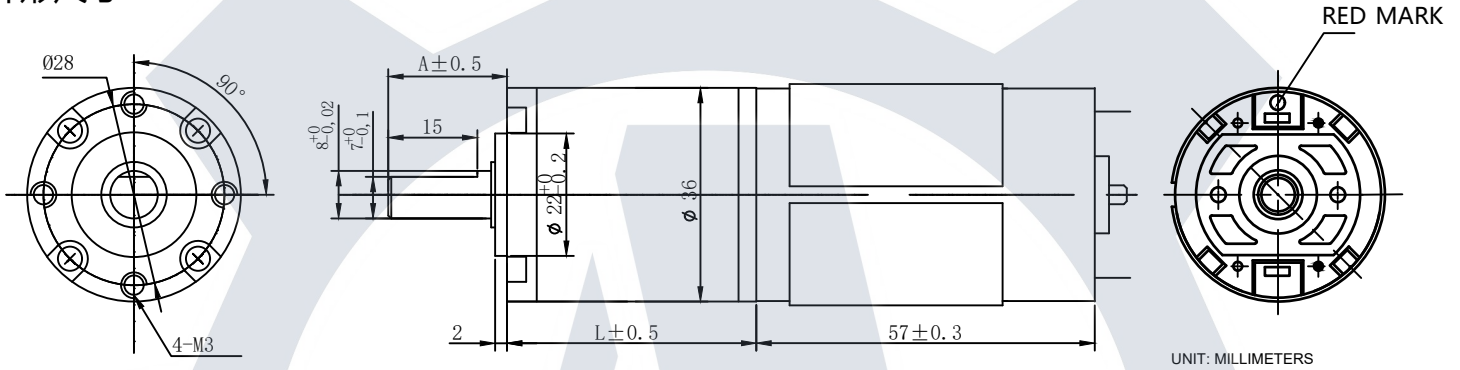


FAPG36-555



Number of stages	1	2	3	4	5
Reduction Ratio(i)	3.7, 5.2	13.7, 19, 27	51, 71, 100, 139	188, 264, 369, 515, 721	699, 977, 1367, 1991
Gearbox Length L (mm)	26.4	33.6	40.6	47.9	55
Shaft length A (mm)	Length and shape customizable				
Breaking Torque(kgf.cm)	15.5	50	150	150	150
Gearbox Efficiency	80%	70%	60%	50%	40%

外形尺寸 DIMENSION



直流行星减速电机参数 PLANETARY GEARED MICRO DC MOTOR SPECS (voltage, current, torque, etc free customization)

电压 Voltage	减速比 Gear Ratio	1/4	1/5	1/14	1/19	1/27	1/51	1/71	1/100	1/139	1/189	1/369	1/516	1/721
12V	额定扭力 kgf.cm Rated Torque	1.02	1.28	3.14	4.26	6.05	9.79	13.63	19.20	26.69	30.24	59.04	82.56	115.36
	额定转速 RPM Rated Speed	1250	1000	357	263	185	98	70	50	36	26	14	10	7
	瞬间容许扭力 kgf.cm Max Allowable Moment Torque	15.5	15.5	50.0	50.0	50.0	150.0	150.0	150.0	150.0	150.0	150.0	150.0	150.0
	空载转速 RPM No Load Speed	1500	1200.0	428.6	315.8	222.2	117.6	84.5	60.0	43.2	31.7	16.3	11.6	8.3
24V	额定扭力 kgf.cm Rated Torque	0.91	1.14	2.79	3.79	5.39	8.72	12.14	17.10	23.77	26.93	52.58	73.53	102.74
	额定转速 RPM Rated Speed	1250	1000	357	263	185	98	70	50	36	26	14	10	7
	瞬间容许扭力 kgf.cm Max Allowable Moment Torque	15.5	15.5	50.0	50.0	50.0	150.0	150.0	150.0	150.0	150.0	150.0	150.0	150.0
	空载转速 RPM No Load Speed	1500.0	1200.0	428.6	315.8	222.2	117.6	84.5	60.0	43.2	31.7	16.3	11.6	8.3

电机参数 MICRO DC MOTOR SPECS (voltage, current, torque, etc free customization)

型号 Model	额定电压 Rated Voltage	空载 No Load		额定负载 RATED LOAD					堵转 Stall	
		转速 Speed	电流 Current	转速 Speed	电流 Current	扭矩 Torque	输出功率 Output	效率 Efficiency	扭矩 Torque	电流 Current
		RPM	A	RPM	A	gf.cm	W	%	gf.cm	A
FARS-555-V1	12	6000	0.5	5000	2.6	320	16.3	52.6	2049	14.3
FARS-555-V2	24	6000	0.5	5000	1.2	285	14.4	50.8	1963	6.85