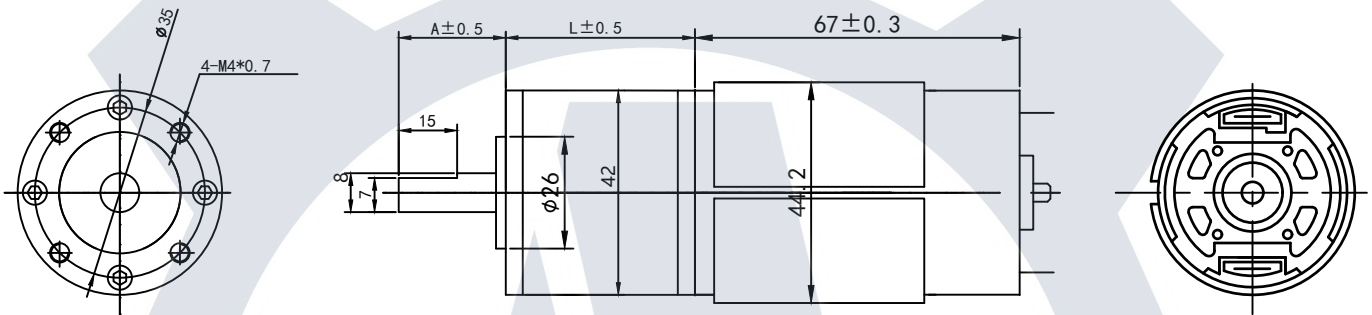


FAPG42-775



Number of stages	1	2	3	4	5
Reduction Ratio (i)	4, 6	17, 24, 36	75, 104, 144	216, 325, 451, 624, 864	1410, 1953
Gearbox Length L (mm)	33.5	42.0	50.5	59.0	67.5
Shaft length A (mm)	Length and shape customizable				
Breaking Torque(kgf.cm)	35	95	180	360	360
Gearbox Efficiency	80%	70%	60%	50%	40%

外形尺寸 DIMENSION



UNIT: MILLIMETERS

直行星减速电机参数 PLANETARY GEARED MICRO DC MOTOR SPECS (voltage, current, torque, etc free customization)

电压 Voltage	减速比 Gear Ratio	1/4	1/6	1/17	1/24	1/36	1/75	1/104	1/144	1/216	1/325	1/451	1/624	1/864
12V	额定扭力 kgf.cm Rated Torque	2.05	3.07	7.62	10.75	16.13	28.80	39.94	55.30	69.12	104.00	144.32	199.68	276.48
	额定转速 RPM Rated Speed	1300	867	306	217	144	69	50	36	24	16	12	8	6
	瞬间容许扭力 kgf.cm Max Allowable Moment Torque	35.0	35.0	95.0	95.0	95.0	180.0	180.0	180.0	360.0	360.0	360.0	360.0	360.0
	空载转速 RPM No Load Speed	1500	1000.0	352.9	250.0	166.7	80.0	57.7	41.7	27.8	18.5	13.3	9.6	6.9
24V	额定扭力 kgf.cm Rated Torque	2.52	3.78	9.38	13.24	19.86	35.46	49.17	68.08	85.10	128.05	177.69	245.86	340.42
	额定转速 RPM Rated Speed	1300	867	306	217	144	69	50	36	24	16	12	8	6
	瞬间容许扭力 kgf.cm Max Allowable Moment Torque	35.0	35.0	95.0	95.0	95.0	180.0	180.0	180.0	360.0	360.0	360.0	360.0	360.0
	空载转速 RPM No Load Speed	1500.0	1000.0	352.9	250.0	166.7	80.0	57.7	41.7	27.8	18.5	13.3	9.6	6.9

电机参数 MICRO DC MOTOR SPECS (voltage, current, torque, etc free customization)

型号 Model	额定电压 Rated Voltage	空载 No Load		额定负载 RATED LOAD					堵转 Stall	
		转速 Speed	电流 Current	转速 Speed	电流 Current	扭矩 Torque	输出功率 Output	效率 Efficiency	扭矩 Torque	电流 Current
		RPM	A	RPM	A	gf.cm	W	%	gf.cm	A
FARS-775-V1	12	6000	1.1	5200	5	640	34.2	56.9	5141	35.7
FARS-775-V2	24	6000	0.6	5200	3.3	788	42.1	53.1	5468	19.6