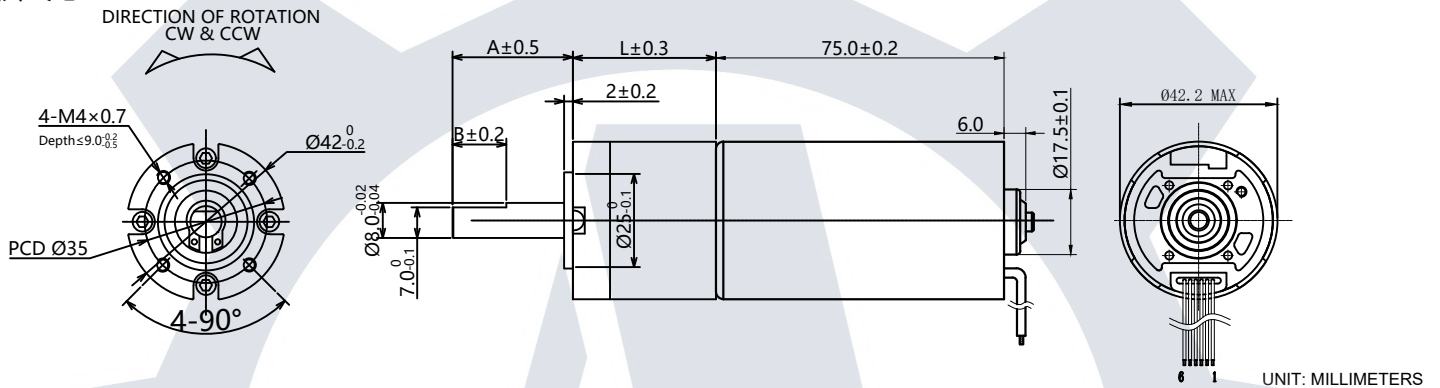


FAPG42-BL4275



Number of stages	1	2	3	4	5
Reduction Ratio (i)	3.7, 5.2	14, 19, 27	51, 71, 100, 139	216, 325, 451, 624, 864	1410, 1953
Gearbox Length L (mm)	31.4	42.2	53	59.0	67.5
Shaft length A&B (mm)	Length and shape customizable				
Breaking Torque(kgf.cm)	35	95	180	360	360
Gearbox Efficiency	90%	81%	73%	65%	50%

外形尺寸 DIMENSION



直流行星减速电机参数 PLANETARY GEARED MICRO DC MOTOR SPECS (voltage, current, torque, etc free customization)

电压 Voltage	减速比 Gear Ratio	1/3.7	1/5.2	1/14	1/19	1/27	1/51	1/71	1/100	1/139	1/325	1/451	1/624	1/864
12V	额定扭力 kgf.cm Rated Torque	1.81	2.55	6.00	8.14	11.57	18.73	26.07	36.72	42.53	99.45	138.01	190.94	264.38
	额定转速 RPM Rated Speed	1575	1121	416	307	216	114	82	58	42	18	13	9	7
	瞬间容许扭力 kgf.cm Max Allowable Moment Torque	100.0	100.0	300.0	300.0	300.0	600.0	600.0	600.0	600.0	600.0	600.0	600.0	600.0
	空载转速 RPM No Load Speed	2073	1475.0	547.9	403.7	284.1	150.4	108.0	76.7	55.2	23.6	17.0	12.3	8.9
24V	额定扭力 kgf.cm Rated Torque	3.39	4.77	11.23	15.24	21.66	35.07	48.82	68.76	79.65	186.23	258.42	357.55	495.07
	额定转速 RPM Rated Speed	912	649	241	178	125	66	48	34	24	10	7	5	4
	瞬间容许扭力 kgf.cm Max Allowable Moment Torque	100.0	100.0	300.0	300.0	300.0	600.0	600.0	600.0	600.0	600.0	600.0	600.0	600.0
	空载转速 RPM No Load Speed	1111.9	791.2	293.9	216.5	152.4	80.7	57.9	41.1	29.6	12.7	9.1	6.6	4.8

电机参数 MICRO DC MOTOR SPECS (voltage, current, torque, etc free customization)

型号 Model	额定电压 Rated Voltage	空载 No Load		额定负载 RATED LOAD					堵转 Stall	
		转速 Speed	电流 Current	转速 Speed	电流 Current	扭矩 Torque	输出功率 Output	效率 Efficiency	扭矩 Torque	电流 Current
	VDC	RPM	A	RPM	A	gf.cm	W	%	gf.cm	A
FABL4275-V1	12	7670	0.378	5829	3.513	612	36.6	86.9	2550	13.44
FABL4275-V2	24	4114	0.45	3375	2.066	1146	39.7	80.1	6411	9.49