

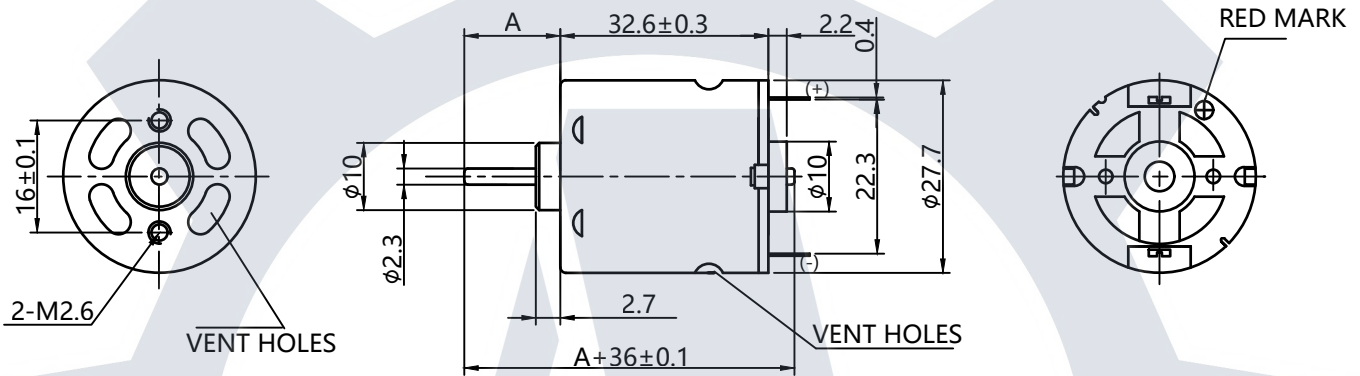
FARS-365

(voltage, current, torque, etc free customization)

| | | |
|----------------------------|--|-----------------------|
| 典型应用 Typical Applications: | | 轴长 Shaft Length A(mm) |
| 打印机、电动按摩器、电动螺丝刀 | Copy machine, massager, electric screwdriver | Customizable |



外形尺寸 DIMENSION

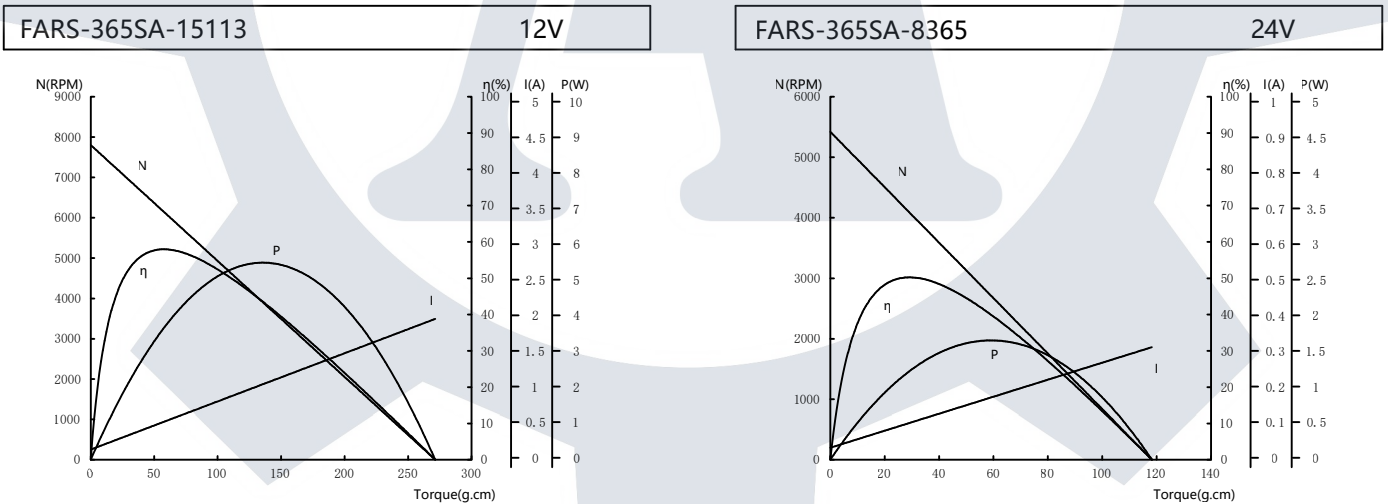


WEIGHT:54g(APPROX)

UNIT: MILLIMETERS

微型直流有刷电机性能曲线图

Micro brush DC electric motor performance curve



微型有刷直流电机性能参数表 Micro brush DC electric motor data table

| 型号 Model | 电压 Voltage | | 空载 No Load | | 额定负载 RATED LOAD | | | | | 堵转 Stall | | | |
|------------------|-------------------------|-------------|-------------|---------------|-----------------|---------------|--------------|----------------|------------------|--------------|---------------|-------|------|
| | 适用范围 Operating range | 额定 Rated | 转速 Speed | 电流 Current | 转速 Speed | 电流 Current | 扭矩 Torque | 输出功率 Output | 效率 Efficiency | 扭矩 Torque | 电流 Current | | |
| | VDC | | RPM | A | RPM | A | mN.m | gf.cm | W | % | mN.m | gf.cm | A |
| FARS-365SA-15113 | 6.0-14.0 | 12 | 7800 | 0.14 | 6153 | 0.52 | 5.62 | 57.3 | 3.62 | 58.0 | 26.47 | 270 | 1.96 |
| FARS-365SA-8365 | 18-28 | 24 | 5420 | 0.033 | 4109 | 0.1 | 2.80 | 28.6 | 1.21 | 50.3 | 11.76 | 120 | 0.33 |