

# FABL2418

 | 1W~7 W | Weight: 30g (APPROX)

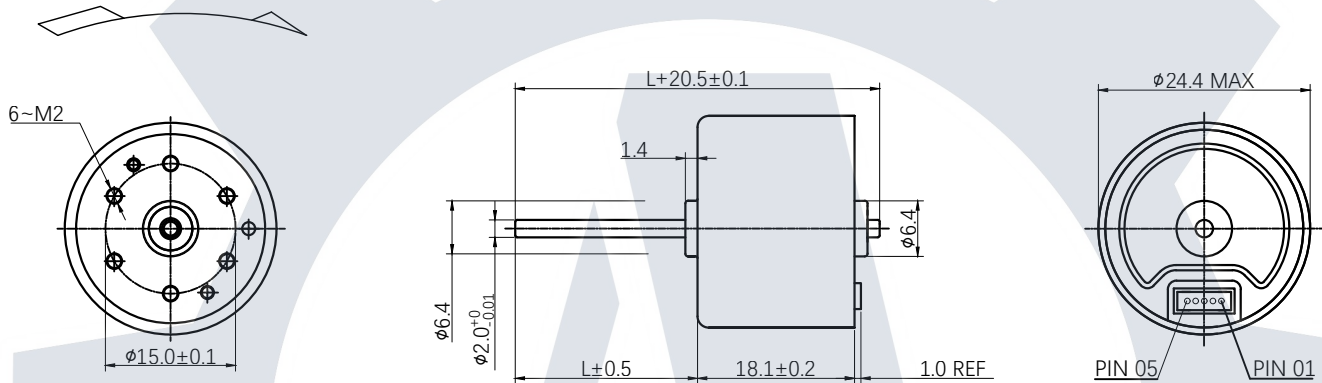
Rated Voltage from 6V to 30VDC, Speed, torque, etc. free customization.

**·典型应用 Typical Use**

个人护理(Personal Care)
家用电器(Home Application)
电动工具(Power Tools)
商业设备(Business Equipment)
医疗器械(Medical Apparatus)

**·连接端口 Connector Interface**

Number	Function
1	VCC
2	FG
3	CW/CCW
4	GND
5	PWM

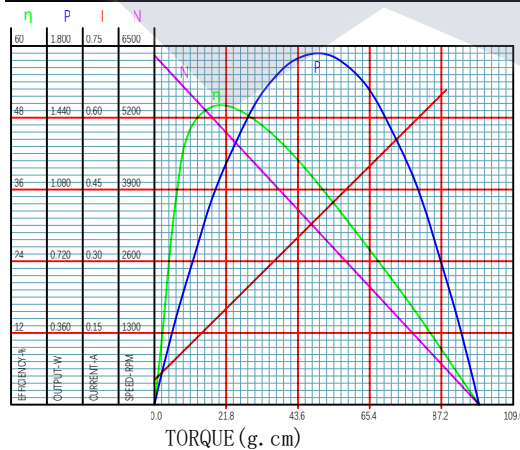

**DIRECTION OF ROTATION**


Shaft Length "L" can be customized charge-free, shaft shape can be also customized accordingly.

UNIT: MM

MODEL	VOLTAGE		NO LOAD		AT MAXIMUM EFFICIENCY				STALL	
	OPERATING RANGE	RATED	SPEED	CURRENT	SPEED	CURRENT	TORQUE	OUTPUT	TORQUE	CURRENT
			r/min	A	r/min	A	g. cm	W	g. cm	A
FABL2418-V1	5V~9V	6V	7230	0.14	5784	0.543	29.5	1.751	147.6	2.157
FABL2418-V2	8V~16V	12V	6430	0.05	5080	0.194	22.8	1.188	108.6	0.738
FABL2418-V3	8V~26V	24V	8900	0.045	6942	0.164	28.7	2.04	130.2	0.588

FABL2418-V2 12V



FABL2418-V3 24V

