

# FABL3630 | 2W~19 W | Weight: 110g (APPROX)

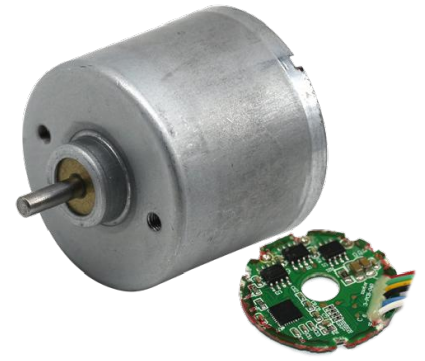
Rated Voltage from 6V to 30VDC, Speed, torque, etc. free customization.

**典型应用 Typical Use**

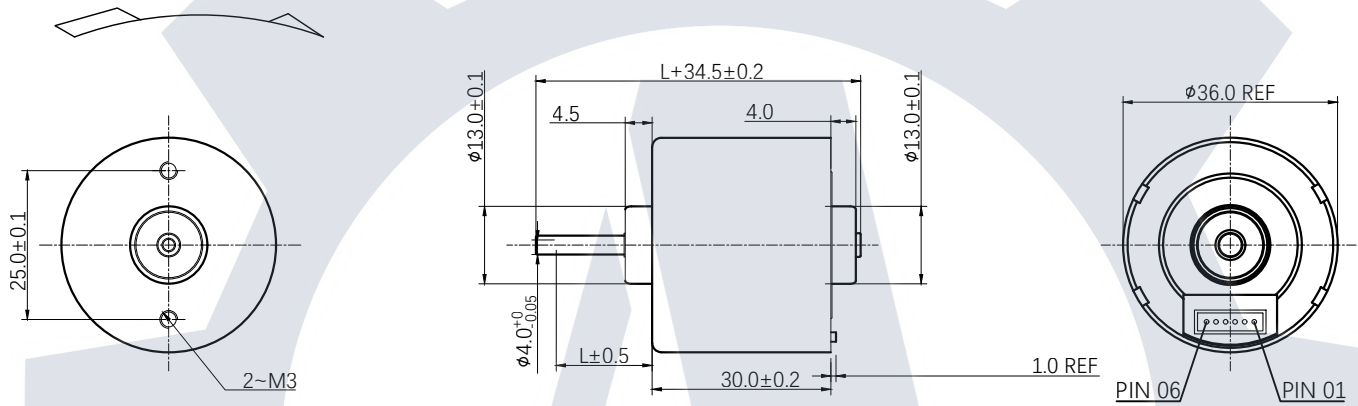
个人护理(Personal Care)
家用电器(Home Application)
电动工具(Power Tools)
商业设备(Business Equipment)
医疗器械(Medical Apparatus)

**连接端口 Connector Interface**

Number	Function
1	VCC
2	FG
3	CW/CCW
4	GND
5	PWM
6	BRAKE



**DIRECTION OF ROTATION**

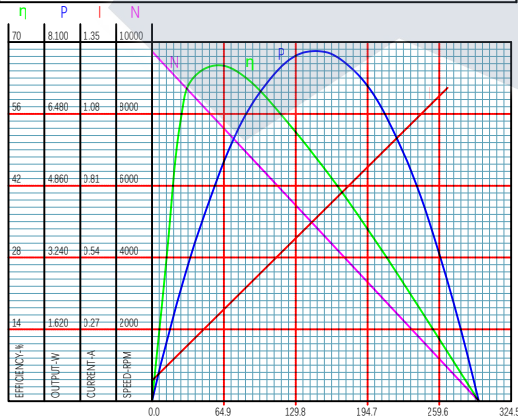


Shaft Length "L" can be customized charge-free, shaft shape can be also customized accordingly.

UNIT:MM

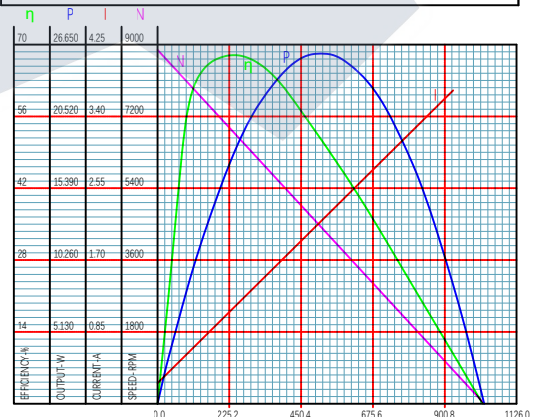
MODEL	VOLTAGE		NO LOAD		AT MAXIMUM EFFICIENCY				STALL	
	OPERATING RANGE	RATED	SPEED	CURRENT	SPEED	CURRENT	TORQUE	OUTPUT	TORQUE	CURRENT
			r/min	A	r/min	A	g. cm	W	g. cm	A
FABL3630-V1	8V~16V	12V	5817	0.249	4882	0.638	138.1	6.507	657.4	3.456
FABL3630-V2	8V~26V	18V	7526	0.209	6171	0.957	183.0	11.584	1016.8	4.366
FABL3630-V3	8V~26V	24V	8872	0.184	7364	0.872	191.3	14.451	1125.6	4.234

FABL3630-V1 12V



TORQUE (g. cm)

FABL3630-V3 24V



TORQUE (g. cm)